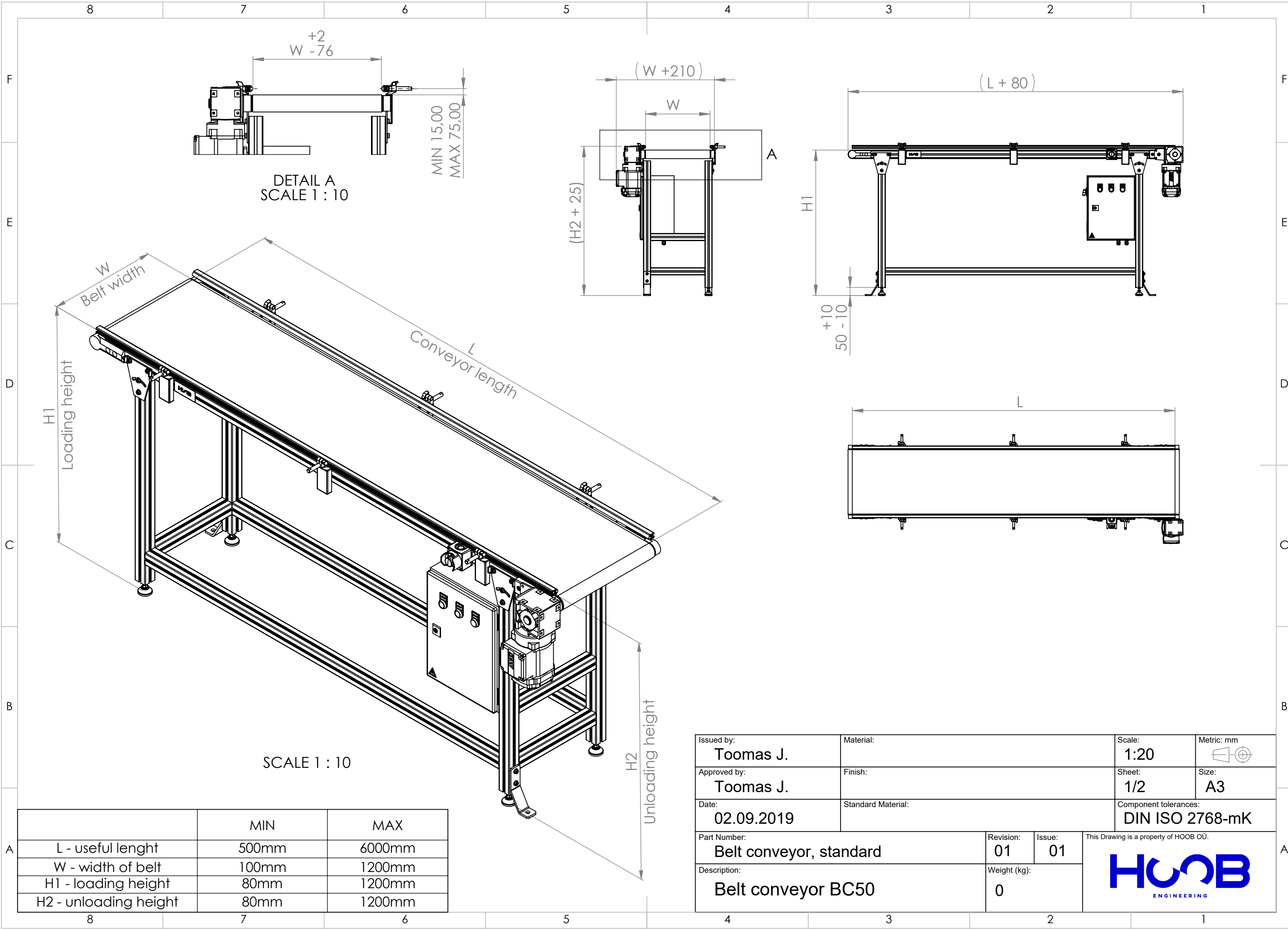
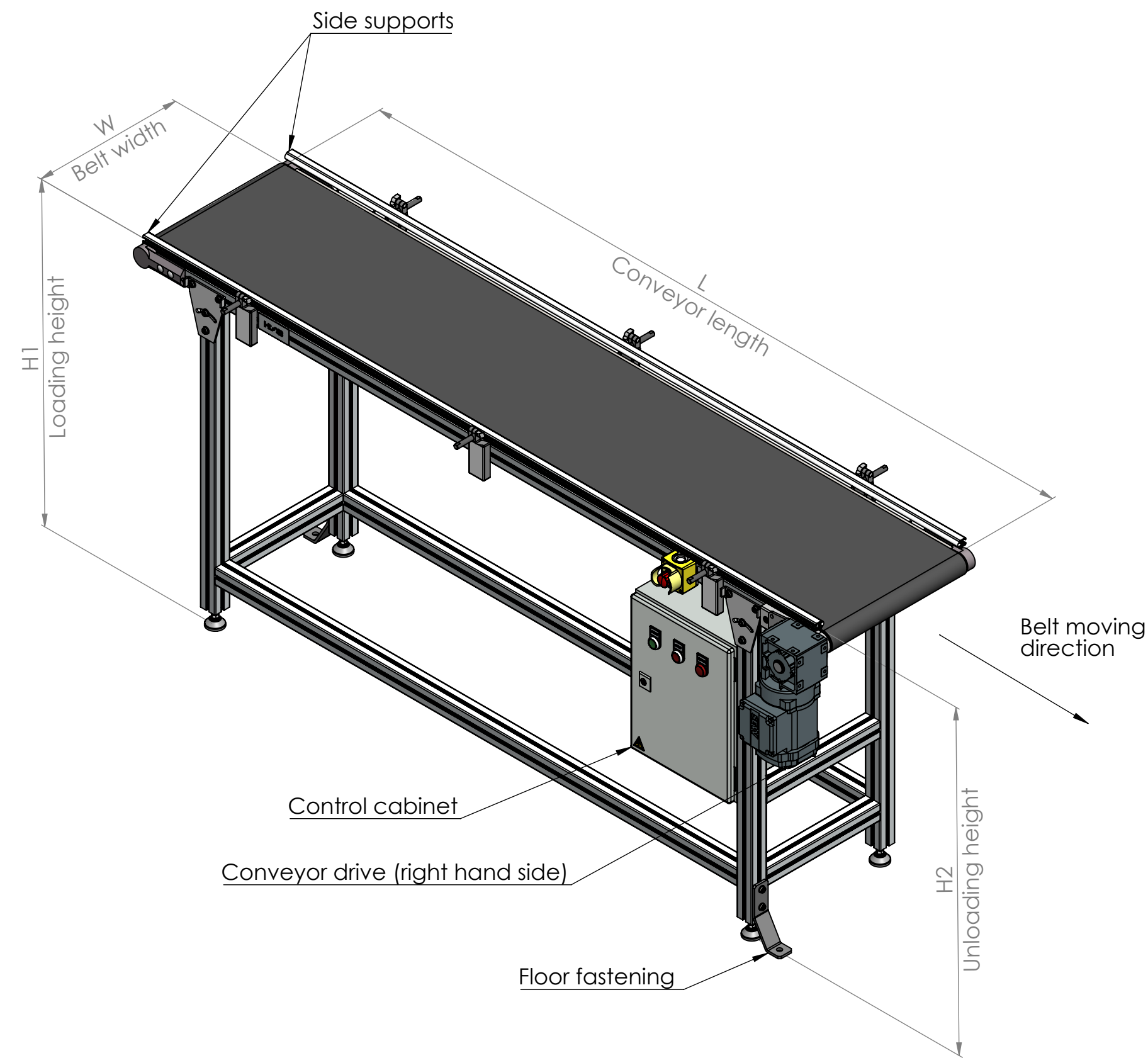


This document and its contents is the property of HOOB OÜ and must not be copied, reproduced or disclosed to any third party without prior written permission.



	MIN	MAX
L - useful length	500mm	6000mm
W - width of belt	100mm	1200mm
H1 - loading height	80mm	1200mm
H2 - unloading height	80mm	1200mm

Issued by: Toomas J.	Material:	Scale: 1:20	Metric: mm
Approved by: Toomas J.	Finish:	Sheet: 1/2	Size: A3
Date: 02.09.2019	Standard Material:	Component tolerances: DIN ISO 2768-mK	
Part Number: Belt conveyor, standard	Revision: 01	Issue: 01	This Drawing is a property of HOOB OÜ.
Description: Belt conveyor BC50	Weight (kg): 0		



ORDERING INFO

Dimensions

- **L, length of conveyor** (500-6000mm) - useful length of conveyor, length of the flat part of the belt, distance between conveyor's drive and driven shaft axis.
- **W, width of conveyor belt** (100-1200 mm) - width of conveyor belt. The construction of conveyor is wider than the belt.
- **H1, loading height** (80-1200mm) - height of the conveyor measured from the driven shaft side (from top of the conveyor belt to the floor).
- **H2, unloading height** (80-1200mm) - height of the conveyor measured from the drive shaft side (from top of the conveyor belt to the floor).

Drive

- **Drive motor placement** - right-hand or left-hand. Normally conveyor belt moves towards the drive motor. Drive motor placement is viewed in the direction of the belt movement.
- **Belt speed** - conveyor belt movement speed can be fixed or adjustable. Fixed belt speed is preferred in applications where there is no need for speed adjustments, or the belt speed does not have to match with other machines.
 - **Fixed speed** is an approximate conveyor belt speed value. The real speed depends on drive motors output speed, conveyor shaft diameter and of the conveyor belts thickness. The closest suitable drive motor output speed is chosen from the standard values.
 - **Adjustable speed** is an approximate conveyor belt speed scope where the belt speed can be adjusted in. Speed adjustment is done from the frequency inverter.

Options

- **Side supports** - are used to align the products or goods more precisely on the conveyor or to prevent them from rolling/sliding off the conveyor.
- **Floor fastenings** - extra fastener angles for fixing the conveyor to the floor.
- **Antistatic conveyor belt** - mostly used for transporting electronical components that are sensitive to static electricity.
- **Control cabinet** - all the necessary electronical components for managing the conveyor are placed in the control cabinet. All the control buttons and indicator lights are placed on the cabinet door for easy access.
- Buttons and indicator lights on the cabinet:
 - **START** - green button, starts the conveyor drive motor, green indicator light turns ON when drive motor is running
 - **STOP** - red button, stops the conveyor drive motor
 - **ERROR** - red indicator light - turns ON when the frequency inverter has an error.
 - **MAIN SWITCH** - Turn switch on the cabinet side (connects or disconnect cabinet from the mains).
- **Emergency stop button** - is used in case of an emergency to stop the conveyor drive motor.

Product or goods info

- **Weight of a piece (kg)** - weight of one piece that is transported on the conveyor in kilograms. This value is needed for evaluating the load on the drive motor.
- **Number of pieces (pc)** - maximal number of pieces that are on the conveyor simultaneously. This value is needed for evaluating the load on the drive motor.
- **Description of the product or goods** - general product name/description (e.g. electronical components, steel blanks, paper/carboard waste, plastic container, cardboard boxes).
- More detailed description can be written in inquiry form's box "Additional information".

GENERAL INFORMATION

- Drive and driven shafts are made of steel in case of 50 mm shafts or made of aluminium and steel in case of 95 mm shafts. The diameter of the shaft depends on the dimensions of the conveyor and on the load.
- Base sheet under the conveyor belt is made of stainless steel.
- By default, PVC conveyor belts are used.
- Base frame and conveyor frame are made of aluminium profiles.
- Conveyor is supported on feet that allow +/-10 mm adjustment for small height adjustments and levelling the conveyor on the floor.
- Conveyor drive motor
 - Power 0,18...0,37 kW (depends on the conveyor load)
 - Voltage 400V, 3phase (in case of 230V frequency inverter is used)
 - Gear ratio depends on belt speed.

Limitations

- Conveyors are meant to be used indoors, in normal air temperature and humidity.
- Compliance to special requirements must be verified before ordering the conveyor.

Issued by: Toomas J.	Material:	Scale: 1:10	Metric: mm
Approved by: Toomas J.	Finish:	Sheet: 2/2	Size: A2
Date: 02.09.2019	Standard Material:	Component tolerances: DIN ISO 2768-mK	
Part Number: Belt conveyor, standard	Revision: 01	Issue: 01	
Description: Belt conveyor BC50	Weight (kg): 0		